

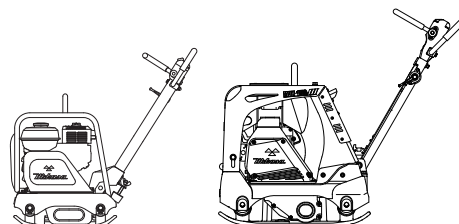
Mikasa

REVERSIBLE COMPACTOR

MVH-R60HA

MVH-128

MVH-158



OPERATION MANUAL

en




<http://www.mikasas.com>

402-13102




EC Declaration of Conformity

1 Manufacturer's name and address	Mikasa Sangyo Co., Ltd. 1-4-3, Kanda-Sarugakucho, Chiyoda-ku, Tokyo, 101-0064, Japan	
2 Description of the equipment 2.1 Product 2.2 Type 2.3 Version(s) 2.4 Measured sound power level dB(A) 2.5 Guaranteed sound power level dB(A) 2.6 Motor type : Net power	Compaction machines (Vibratory Plates : Reversible Compactors) <div style="text-align: center;">MVH-R60HA</div> <div style="text-align: center;">—</div> <div style="text-align: center;">104</div> <div style="text-align: center;">105</div> Air cooled , 4 stroke SI engine (Honda GX120) : 2.6 kW	
3 Conformity assessment procedure	Annex VIII of 2000/14/EC as last amended by 2005/88/EC	
4 Notified Body's name and address	TÜV Rheinland LGA Products GmbH Tillystraße 2, 90431, Nürnberg, Germany Notified Body number: NB 0197	
5 Comply with relevant provisions and requirements of the following directives and standards	2000/14/EC , 2006/42/EC , 2014/30/EU EN 500-1:2006 +A1:2009 , EN 500-4:2011	
6 Signature	<div style="text-align: center;">  <hr style="width: 20%; margin: auto;"/> </div> <div style="text-align: right;">2nd Jun. 2022</div> <div style="text-align: center;">Keiichi Yoshida : Director, General Manager R&D Division</div>	
7 Technical documentation keeper	Engineer , R&D Division , Mikasa Sangyo Co., Ltd. 15-1,Shimoosaki,Shiraoka-city,Saitama,349-0203,Japan	
Reference data Hand-arm vibration level ※ Ahv m/s ²	<div style="text-align: center;">MVH-R60HA</div> <div style="text-align: center;">6.2</div>	


※ Directive 2002/44/EC compliant. Test course (crushed gravel) is in comply with EN 500-4

EC Declaration of Conformity

1 Manufacturer's name and address	Mikasa Sangyo Co., Ltd. 1-4-3, Kanda-Sarugakucho, Chiyoda-ku, Tokyo, 101-0064, Japan		
2 Description of the equipment	Compaction machines (Vibratory Plates : Reversible Compactors) <div style="text-align: center;">MVH-128GH</div> <hr style="width: 10%; margin: auto;"/> <div style="text-align: center;">—</div>		
2.1 Product			
2.2 Type			
2.3 Version(s)			
2.4 Measured sound power level dB(A)			105
2.5 Guaranteed sound power level dB(A)			107
2.6 Motor type : Net power			Air cooled , 4 stroke SI engine (Honda GX160) : 3.6 kW
3 Conformity assessment procedure	Annex VIII of 2000/14/EC as last amended by 2005/88/EC		
4 Notified Body's name and address	TÜV Rheinland LGA Products GmbH Tillystraße 2, 90431, Nürnberg, Germany Notified Body number: NB 0197		
5 Comply with relevant provisions and requirements of the following directives and standards	2000/14/EC , 2006/42/EC , 2014/30/EU EN 500-1:2006 +A1:2009 , EN 500-4:2011		
6 Signature	 <hr style="width: 20%; margin: auto;"/>	2nd Jun. 2022	
	Keiichi Yoshida : Director, General Manager R&D Division		
7 Technical documentation keeper	Engineer , R&D Division , Mikasa Sangyo Co., Ltd. 15-1,Shimoosaki,Shiraoka-city,Saitama,349-0203,Japan		
Reference data	MVH-128GH		
Hand-arm vibration level ※ Ahv m/s ²	3.4		


※ Directive 2002/44/EC compliant. Test course (crushed gravel) is in comply with EN 500-4

EC Declaration of Conformity

1 Manufacturer's name and address	Mikasa Sangyo Co., Ltd. 1-4-3, Kanda-Sarugakucho, Chiyoda-ku, Tokyo, 101-0064, Japan		
2 Description of the equipment	Compaction machines (Vibratory Plates : Reversible Compactors) <div style="text-align: center;">MVH-158GH</div> <hr style="width: 30%; margin: auto;"/> <div style="text-align: center;">MVH-158GH W</div>		
2.1 Product			
2.2 Type			
2.3 Version(s)			
2.4 Measured sound power level dB(A)			105
2.5 Guaranteed sound power level dB(A)			107
2.6 Motor type : Net power			Air cooled , 4 stroke SI engine (Honda GX200) : 4.1 kW
3 Conformity assessment procedure	Annex VIII of 2000/14/EC as last amended by 2005/88/EC		
4 Notified Body's name and address	TÜV Rheinland LGA Products GmbH Tillystraße 2, 90431, Nürnberg, Germany Notified Body number: NB 0197		
5 Comply with relevant provisions and requirements of the following directives and standards	2000/14/EC , 2006/42/EC , 2014/30/EU EN 500-1:2006 +A1:2009 , EN 500-4:2011		
6 Signature	 <hr style="width: 20%; margin: auto;"/>	2nd Jun. 2022	
	Keiichi Yoshida : Director, General Manager R&D Division		
7 Technical documentation keeper	Engineer , R&D Division , Mikasa Sangyo Co., Ltd. 15-1,Shimoosaki,Shiraoka-city,Saitama,349-0203,Japan		
Reference data	MVH-158GH MVH-158GH W		
Hand-arm vibration level ※ Ahv m/s ²	2.9		

※ Directive 2002/44/EC compliant. Test course (crushed gravel) is in comply with EN 500-4

EC Declaration of Conformity

1 Manufacturer's name and address	Mikasa Sangyo Co., Ltd. 1-4-3, Kanda-Sarugakucho, Chiyoda-ku, Tokyo, 101-0064, Japan		
2 Description of the equipment	Compaction machines (Vibratory Plates : Reversible Compactors) <div style="text-align: center;">MVH-158DZ</div> <hr style="width: 50%; margin: auto;"/> <div style="text-align: center;">MVH-158DZ W</div>		
2.1 Product			
2.2 Type			
2.3 Version(s)			
2.4 Measured sound power level dB(A)			105
2.5 Guaranteed sound power level dB(A)			107
2.6 Motor type : Net power			Air cooled , 4 stroke CI engine (Hatz 1B20) : 3.1 kW
3 Conformity assessment procedure	Annex VIII of 2000/14/EC as last amended by 2005/88/EC		
4 Notified Body's name and address	TÜV Rheinland LGA Products GmbH Tillystraße 2, 90431, Nürnberg, Germany Notified Body number: NB 0197		
5 Comply with relevant provisions and requirements of the following directives and standards	2000/14/EC , 2006/42/EC , 2014/30/EU EN 500-1:2006 +A1:2009 , EN 500-4:2011		
6 Signature	 <hr style="width: 50%; margin: auto;"/>	2nd Jun. 2022	
	Keiichi Yoshida : Director, General Manager R&D Division		
7 Technical documentation keeper	Engineer , R&D Division , Mikasa Sangyo Co., Ltd. 15-1,Shimoosaki,Shiraoka-city,Saitama,349-0203,Japan		
Reference data	MVH-158DZ MVH-158DZ W		
Hand-arm vibration level ※ Ahv m/s ²	3.8		

※ Directive 2002/44/EC compliant. Test course (crushed gravel) is in comply with EN 500-4

TABLE OF CONTENTS

1. INTRODUCTION	1
2. MACHINE OVERVIEW	1
3. WARNING SIGNS	2
4. CAUTIONS FOR SAFETY	2
4.1 General Cautions	2
4.2 Refueling Precautions	3
4.3 Location And Ventilation Precautions	3
4.4 Precautions Before Starting	3
4.5 Precautions During Work	3
4.6 Lifting Precautions	3
4.7 Transportation And Storage Precautions	4
4.8 Maintenance Precautions	4
4.9 Label Position	5
4.10 Descriptions Of Symbols Used On Warning Labels	6
4.11 Control Unit Positions And Names	7
5. SPECIFICATION	8
6. APPEARANCE	9
7. INSPECTION BEFORE OPERATION	10
7.1 Engine Oil	10
7.2 Vibrator Oil	11
7.3 Refueling	11
8. OPERATION	11
8.1 Starting	11
8.2 Operation	14
9. STOPPING THE MACHINE	15
10. TRANSPORTATION AND STORAGE	16
10.1 Loading And Unloading	16
10.2 Transportation Precautions	16
10.3 Storage	17
11. REGULAR CHECK AND ADJUSTMENT	18
11.1 Inspection And Maintenance Schedule Table	18
11.2 Open The Front Cover	19
11.3 Change The Engine Oil	19
11.4 Clean The Air Cleaner	19
11.5 Check/Change The V-belt	20
11.6 Check/Change The Vibrator Oil	21
11.7 Check/Change The Hydraulic Oil	21
12. TROUBLESHOOTING	22
12.1 Gasoline Engine	22
12.2 Diesel Engine	23
12.3 Main Body	24

1. INTRODUCTION

- This operation manual describes the proper operation, basic inspection and maintenance procedures of the reversible compactor. Please read this operation manual before use in order to maximize the excellent performance of this machine and make your work more efficient and effective.
- After reading the manual, please keep it in a handy location for easy reference.
- For the handling the engine, please refer to the separate engine operation manual.
- For inquiries about repair parts, parts lists, service manuals, and repairs, please contact the store where you purchased the product, our sales office, or the Mikasa Parts Service Center. For parts lists, please visit our homepage at: <http://www.mikasas.com/> where you can access Mikasa WEB parts lists.

The illustrations in this manual might slightly differ in part from the machine you actually purchased due to design changes.

2. MACHINE OVERVIEW

Application

This machine is a compactor with back and forth motion. The strong vibration from the two-axes pendulum structure inside the vibrator changes the machine's motion into straight back and forth motion. The machine compacts through this motion. The machine has tightening and compacting effect for all ground types other than the soft soil with high water percentage. Because the machine is capable of straight back and forth movement, it works very effectively in grooved structures. Also, since the work efficiency of this machine is high, it is suitable for compacting of a large area. The machine also works well for flattening and leveling rough ground surface with irregularities created by the use of a powerful tamping rammer. The machine can be used widely for heavy compacting works such as base work as well as finishing work for asphalt paving.

Warning About Incorrect Applications And Techniques

Do not use this machine on ground with a high water percentage and, in particular, do not use on clay because the machine will not advance. Use this machine for compacting earth and sand mixtures, soil, sand or gravel. Do not use this machine for other type of work.

Structure

The upper part of the machine consists of an engine, handle, belt cover and exterior frame. The upper part of the machine is fixed to the vibrating plate of the lower part via an anti-vibration rubber. The lower part of this machine consists of a vibrating plate that incorporates a vibrator, there are two pendulums. The phase of those pendulums is changed by hydraulic pressure.

The hydraulic cylinder for the vibrator is connected with a hydraulic hose to the hydraulic pump, which is directly connected to the drive lever.

Power Transmission

Power is provided by an air-cooled single-cylinder 4-cycle gasoline engine or diesel engine. The engine output shaft is equipped with a centrifugal clutch. The centrifugal clutch is engaged when the engine speed increases. V-pulley is incorporated to the centrifugal clutch drum, and power is transmitted via the V-belt to the V-pulley on the vibrator side.


Through this process, the engine revolution is changed to the pendulum revolution suitable for compacting. The vibrator pulley rotates the pendulum axis of the drive side. The two pendulums inside the vibrator are fixed to the two pendulum axes that are positioned in parallel and are connected with the gear. The two axes rotate in opposite directions at the same speed to generate vibration.






There is a spiral groove on the inner periphery of the gear assembled on the pendulum axis to be driven. This groove serves as a key groove to let the guide pin slide to the axis direction. This guide pin is connecting the two pendulum axes. The phase of the two pendulums is changed by the axial sliding of the guide pin. The change in phase causes the vibration to change directions, thus changing the speed and travel direction of the machine.

Hydraulic pressure is used for the axial movement of the guide pin. At the end of the groove where the guide pin is attached, a piston is installed. When the oil level rises inside the hydraulic cylinder on the vibrator side and the pressure increases, the piston is pushed. Then the axis connected to the piston is pushed, which causes the guide pin attached to the axis to move, resulting in a change in phase.

The operator of the machine, by using the back and forth motion lever of the handle, can adjust the oil quantity and pressure by the connected hand pump to get the travel speed suitable for the work.

3. WARNING SIGNS

The triangle shaped  marks used in this manual and on the decals stuck on the main body indicate common hazards. Be sure to read and observe the cautions described.

 Warning labels indicating hazards to humans and to equipment.	
 DANGER	Denotes an extreme hazard. It calls attention to a procedure, practice, condition or the like, which, if not correctly performed or adhered to, is likely to result in serious injury or death.
 WARNING	Denotes a hazard. It calls attention to a procedure, practice, condition or the like, which, if not correctly performed or adhered to, could result in serious injury or death.
 CAUTION	Denotes a hazard. It calls attention to a procedure, practice, condition or the like, which, if not correctly performed or adhered to, could result in injury to people and may damage or destroy the product.
CAUTION (without at )	Failure to follow the instructions may result in damage to property.

4. CAUTIONS FOR SAFETY

4.1 General Cautions

WARNING

- Do not work with this machine, when
 - you are tired or sick and not feeling well,
 - you have taken medicine or drug, or
 - you have had a drink.



CAUTION

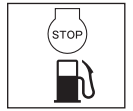
- Please read the operation manual well and work safely by using the machine properly.
- For handling of the engine, please refer to the separate engine operation manual.
- Please have a good understanding of the structure of this machine.
- Make sure to do work start inspection, regular self inspection and specified self inspection.
- To make your work safe, please use protective equipment (use specified helmet, protective shoes, etc.) and wear appropriate work clothes.
- Always use noise protection equipment such as ear muffs or ear plugs.
- Always check the machine to make sure it is in normal condition before operating the machine.
- The nameplates attached to the machine (nameplates showing operation method, warning, etc.) are very important for your safety. Clean the machine so that the nameplates can be read easily. If it is difficult to read the nameplate, please replace the old one with a new one.
- It is dangerous for young children to come near the machine. Please pay careful attention to the method of storing and the storage location for this machine. Especially the engine start key has to be taken out every time you finish your work, and keep it in a designated location.
- To do maintenance work, stop the engine and remove the battery wiring.
- We are not responsible for accidents that have occurred after the machine was refurbished without approval from the manufacturer.



4.2 Refueling Precautions

DANGER

- Always refuel in a well ventilated area.
- Make sure to stop the engine and wait until the engine cools down when refueling.
- Select a flat surface area with no flammable material around for refueling. Be careful not to spill the fuel. Wipe off well if there is any spill.
- Never put fire near the machine during refueling. (Especially, be careful about smoking.)
- If you fill to the top of the fuel tank inlet, fuel might spill out from the tank, and it becomes dangerous
- After refueling, tighten the tank cap well.



4.3 Location And Ventilation Precautions

DANGER

- Do not run the machine in an unventilated location, such as indoors or inside a tunnel. The exhaust gas from the engine contains toxic gases such as carbon monoxide and is very hazardous.
- Do not operate the machine near open flames.



4.4 Precautions Before Starting

CAUTION

- Check each part to see if it is tightened properly. Vibration causes loosening of bolts, which results in unexpected serious malfunctions of the machine. Tighten the bolts securely.

4.5 Precautions During Work

CAUTION

- Before starting the machine, make sure it is safe to start by checking your surroundings for people and objects.
- Always pay attention to your footing. Work in an area where you can maintain a good balance of the machine and a safe comfortable posture.
- The engine and muffler become very hot. Do not touch immediately after the machine stops because they are still very hot.
- If you notice deterioration of machine operation during your work, stop your work immediately.
- Before moving away from the machine, be sure to turn the engine off. Also when the machine is transported, stop the engine and close the fuel cock.
- For a machine with cell starter specification, do not operate without the battery. If you operate without the battery, electrical system failure might occur.



4.6 Lifting Precautions

DANGER

- Before lifting, check the machine parts (especially the hook and shock absorbers) for any damage and loosened or missing bolts.
- Stop the engine and shut the fuel cock while lifting.
- Use a sufficiently strong wire rope.
- For lifting, use only one point hoisting hook, and do not lift at any other part.
- When the machine is hoisted, never let people or animals come underneath.
- For safety reasons, do not lift to a height that is higher than necessary.



4.7 Transportation And Storage Precautions

WARNING

- Stop the engine during transportation.
- Transport after the engine and the machine are cooled down.
- Always drain the fuel before transporting.
- Securely fix the machine to prevent it from moving or falling during transportation.
- Do not store the machine on the place where it may be submerged.



4.8 Maintenance Precautions

WARNING

- Appropriate maintenance is required to ensure safe and efficient operation of the machine. Always pay attention to the machine's condition and keep it in good condition. Pay special attention to the parts used for lifting, if they are not maintained properly, it might result in a serious accident.
- Start maintenance work after the machine has cooled down completely. The muffler, in particular, becomes very hot, and there is a danger of burn. The engine, engine oil and vibrator also become very hot. Be careful not to get burned.



CAUTION

- Always stop the engine before inspection and adjustment. If you are caught in a rotating part, serious injury might occur.
- After maintenance work, check the security parts to see if they are securely installed. Special attention should be paid when checking bolts and nuts.
- If disassembly is involved in maintenance, refer to the maintenance instruction manual to make your work safe.



About The Battery

DANGER

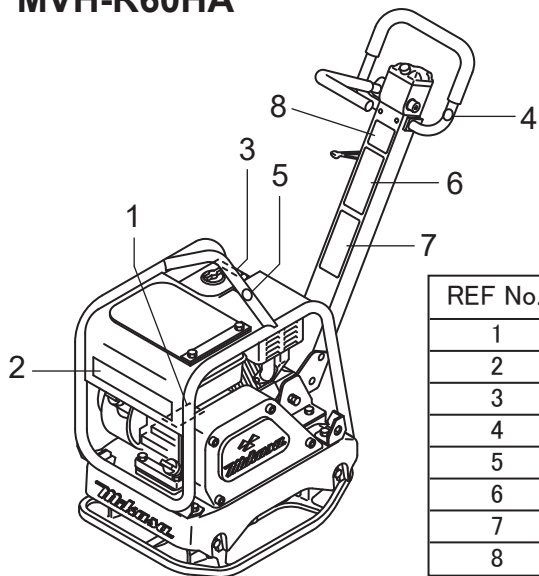
- If the battery fixing bolts have been removed, put them back and tighten securely to fix the battery.
If used with the battery not fixed properly, contact with the battery terminal might occur, leading to electric shock and electric leak, or breakage of the battery might occur by the impact and vibration from outside, resulting in battery fluid leakage.
- The gas from the battery might cause an explosion. Do not generate sparks or bring flames near the battery.
- Never put the positive terminal and negative terminal come into contact. Sparks will be generated, and ignition might occur.

WARNING

- Be careful when handling the battery fluid because it is very toxic. If the battery fluid gets on your skin, eye, or clothes, rinse it off with plenty of water and consult with a doctor.

4.9 Label Position

MVH-R60HA

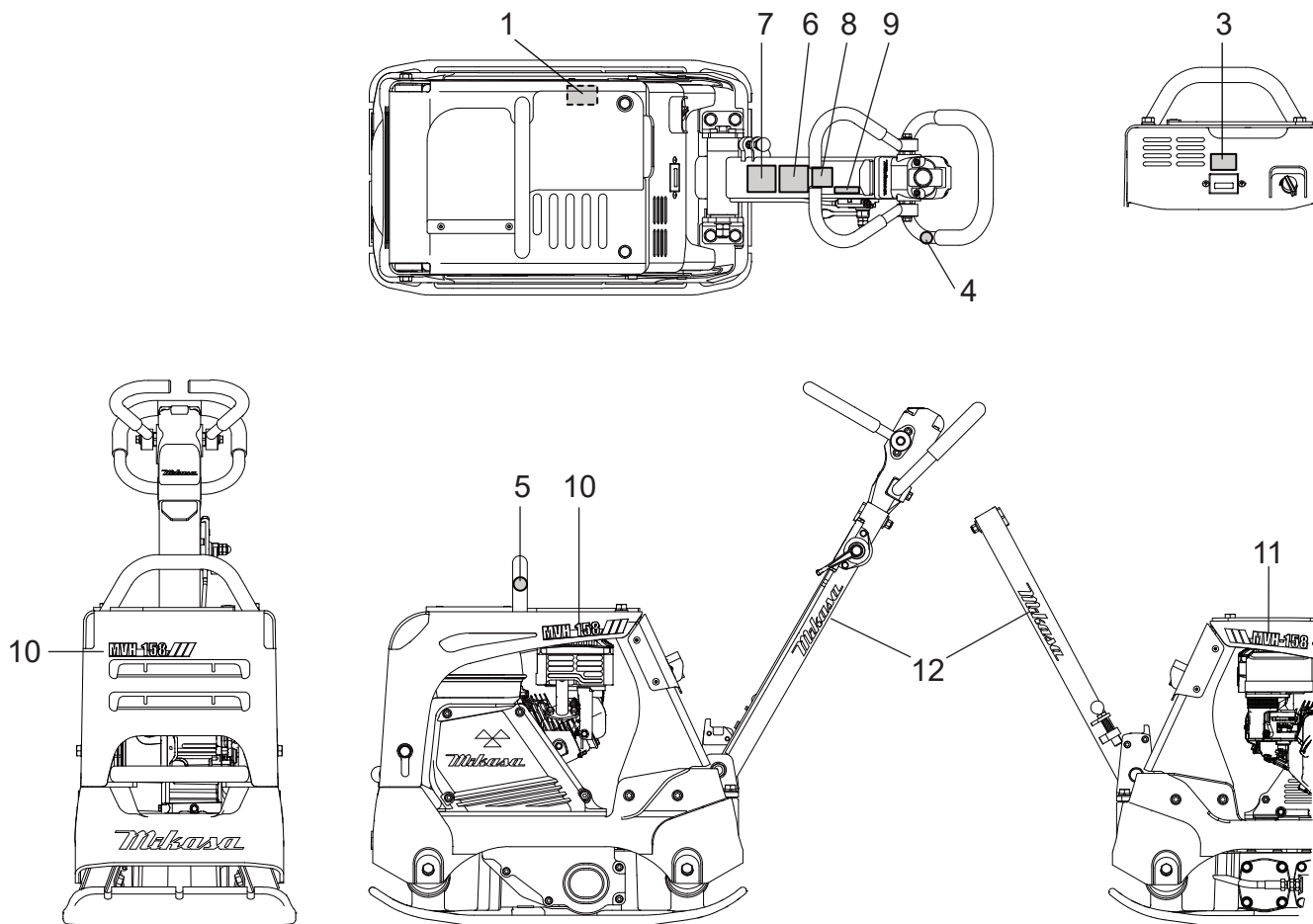


REF No.	Parts No.	Parts Name	Remarks
1	—	PLATE, SERIAL NO.	
2	9201-10000	DECAL, MODEL/MVH-R60	
3	9202-06020	DECAL, E/G RPM 3400-3600	
4	9202-14730	DECAL, DO NOT LIFTING	
5	9202-14740	DECAL, LIFTING POSITION	
6	9202-14750	DECAL, CAUTION ICONS/V-TYPE	
7	9202-14760	DECAL, ENGINE HANDLING /GS	
8	9202-10330	DECAL, EC NOISE REQ. LWA105	

※ P/N: 9209-00110, DECAL SET includes REF No. 4-7 for the above.

MVH-128/158

※ The illustration is shown for model, "MVH-158GH"



※ Specifications are subject to change without notice.

REF No.	PART No.	PART NAME	Q'TY	REMARK
1	9202-21760	SERIAL NO.PLATE/128GH/5CE	1	128GH
	9202-20600	SERIAL NO.PLATE/158GH/5CE	1	158GH
	9202-20610	SERIAL NO.PLATE/158DZ/5CE	1	158DZ
	9202-22020	SERIAL NO.PLATE/158DY/5CE	1	158DY
3	9202-18130	DECAL, E/G RPM 3600	1	128GH,158GH
4	9202-14730	DECAL,DO NOT LIFTING	1	
5	9202-14740	DECAL,LIFTING POSITION	1	
6	9202-14750	DECAL,CAUTION ICONS/V-TYPE	1	
7	9202-14760	DECAL,ENGINE HANDLING /GS	1	128GH,158GH
8	9202-10310	DECAL,EC NOISE REQ.LWA107	1	
9	9202-21960	DECAL,LEVER OPERATION/D	1	158DZ,158DY
10	9202-21730	DECAL,MODEL(R,OR)/MVH-128	2	MVH-128(ORANGE)
	9202-21710	DECAL,MODEL(R,GR)/MVH-128	2	MVH-128(GREEN)
	9202-20520	DECAL,MODEL(R,OR)/MVH-158	2	MVH-158(ORANGE)
	9202-20540	DECAL,MODEL(R,GR)/MVH-158	2	MVH-158(GREEN)
11	9202-21740	DECAL,MODEL(L,OR)/MVH-128	1	MVH-128(ORANGE)
	9202-21720	DECAL,MODEL(L,GR)/MVH-128	1	MVH-128(GREEN)
	9202-20530	DECAL,MODEL(L,OR)/MVH-158	1	MVH-158(ORANGE)
	9202-20550	DECAL,MODEL(L,GR)/MVH-158	1	MVH-158(GREEN)
12	9202-17130	DECAL,MIKASA MARK(W)200L	2	

※ P/N: 9209-00110, DECAL SET includes REF No. 4-7 for the above.

4.10 Descriptions Of Symbols Used On Warning Labels



① Lethal Exhaust Gas Hazard.

Carbon monoxide poisoning may occur if the exhaust gas is inhaled. Do not operate the machine in a poorly ventilated area.



⑥ Keep safe distance.

Be careful not to approach danger source during operation.



② Rotating Parts Hazard.

Keep hands clear from all moving parts (such as inside the belt cover) to prevent injury.



⑦ Fire hazard.

Keep away any flames and sparks from the machine.



③ Refueling Hazard.

Stop the engine and let cool before refueling.



⑧ Noise hazard.

Always wear ear protection while operating the machine.



④ Read the manual carefully.

Read and fully understand the operation manual before operating the machine.



⑨ No lifting position.

Do not use any other points (such as the handle) except one point lifting hook for lifting the machine.



⑤ Burn Hazard.

Never touch the hot parts. Allow these parts to cool before servicing the machine.



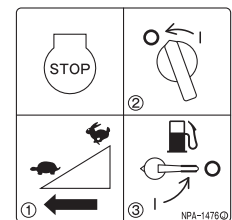
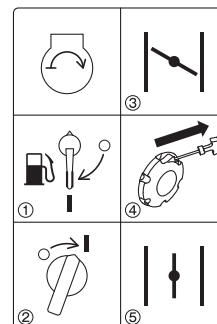
⑩ Lifting position.

Use one point lifting hook for lifting the machine.

Starting and stopping for gasoline engine

START

- ① Open Fuel Cock to start.
- ② Turn Stop Switch to "I"(ON) position.
- ③ Close Choke Lever.
- ④ Pull Recoil Starter to start the engine.
- ⑤ Return Choke Lever to open.



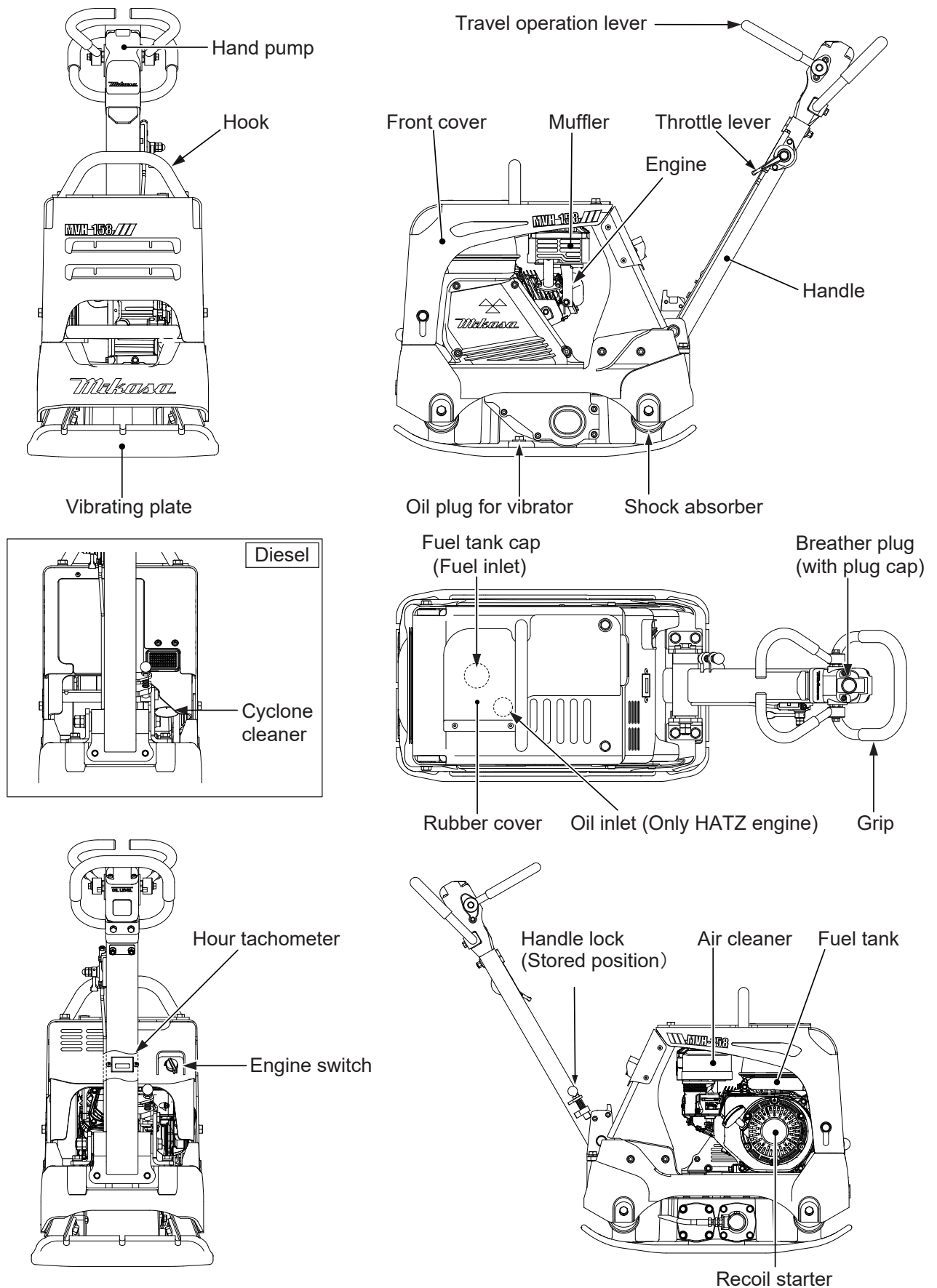
STOP

- ① Return Throttle Lever fully until "O"(OFF) position to stop work.
- ② After cooling down enough, turn Stop Switch to "O"(OFF) position to stop the engine.
- ③ Close Fuel Cock at the end.

※ Regarding Diesel engines, refer to those engine operation manuals.

4.11 Control Unit Positions And Names

※ The illustration is shown for model, "MVH-158GH".



※ Specifications are subject to change without notice.

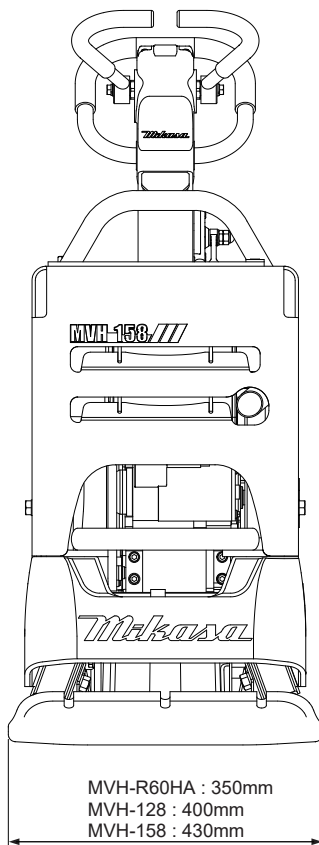
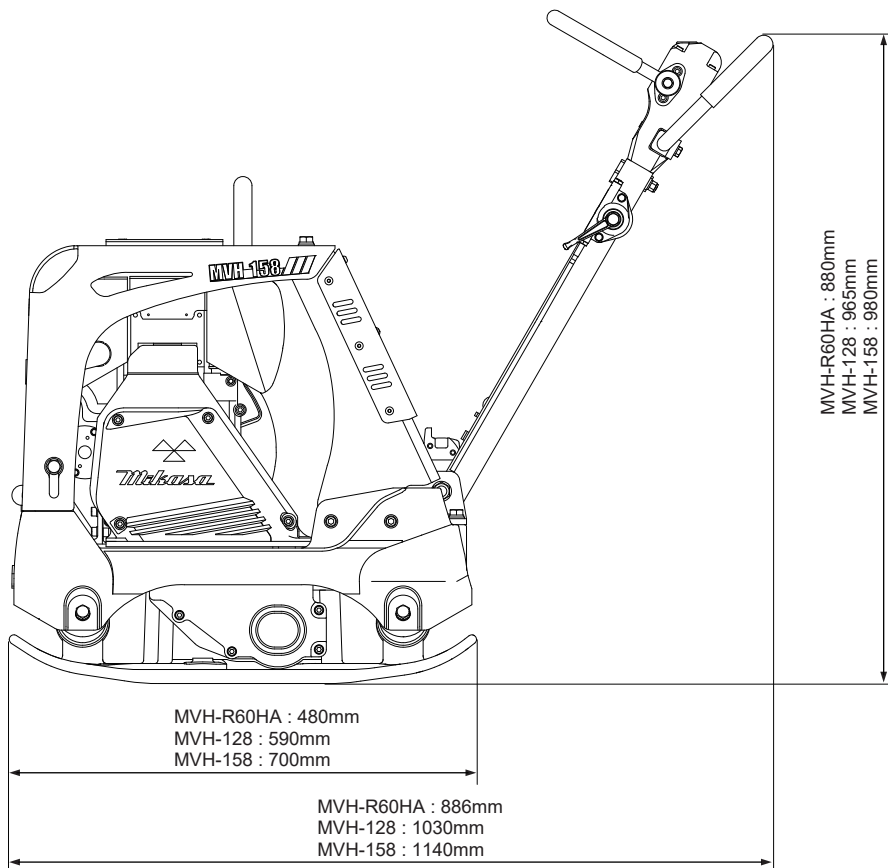
5. SPECIFICATIONS

MODEL		MVH-R60HA	MVH-128GH	MVH-158GH
Main Dimensions				
Overall Length	mm	886	1030	1140
Overall Height (Handle)	mm	880	965	980
Overall Width	mm	350	400	430
Compacting Board				
Width	mm	350	400	430
Length	mm	480	590	700
Weight				
Operating Weight	kg	68	122	148
Engine				
Manufacturer / Type		HONDA GX120	HONDA GX160	HONDA GX200
Engine Type		Air-cooled 4-cycle petrol engine	Air-cooled 4-cycle petrol engine	Air-cooled 4-cycle petrol engine
Maximum Power	kw/rpm	2.6/3600	3.6/3600	4.3/3600
	PS/rpm	3.5/3600	4.9/3600	5.8/3600
Operating Engine Speed	r.p.m	3600	3600	3600
Performance				
Vibrating Frequency	Hz/VPM	100/6000	90/5400	90/5400
Centrifugal Force	kN	15	23.5	27
Max. Traveling Speed	m/min	0~25	0~27	0~27
Hand Arm Vibration (Ahv)	m/sec ²	6.2	3.4	2.9

MODEL		MVH-158DZ	MVH-158DY
Main Dimensions			
Overall Length	mm	1140	1140
Overall Height (Handle)	mm	980	980
Overall Width	mm	430	430
Compacting Board			
Width	mm	430	430
Length	mm	700	700
Weight			
Operating Weight	kg	165	162
Engine			
Manufacturer / Type		HATZ 1B20	YANMAR L48N
Engine Type		Air-cooled 4-cycle diesel engine	Air-cooled 4-cycle diesel engine
Maximum Power	kw/rpm	3.1/3000	3.5/3600
	PS/rpm	4.2/3000	4.7/3600
Operating Engine Speed	r.p.m	3100	3100
Performance			
Vibrating Frequency	Hz/VPM	90/5400	90/5400
Centrifugal Force	kN	27	25
Max. Traveling Speed	m/min	0~27	0~26
Hand Arm Vibration (Ahv)	m/sec ²	3.8	-

- Remarks:** 1) Specifications are subject to change without notice.
2) Vibration Level is in comply with EU Directive 2002/44/EC and the value is shown as 3 axis min vibration level. Test course (Crushed gravel) is in comply with EN500-4.

6. APPEARANCE



※ The illustration is shown for model, "MVH-158DZ"
 ※ Specifications are subject to change without notice.

7. INSPECTION BEFORE OPERATION

Part inspection sheet before work start

Check point	Check item
Visual inspection	Flaw, Deformation
Front cover & center cover	Falling off, Breakage, Crack, Looseness and falling off of bolts & nuts
Fuel tank	Leak, Quantity, Dirt
Fuel system	Leak
Fuel filter	Dirt
Engine oil	Leak, Quantity, Dirt
Vibrator oil	Leak, Quantity, Dirt
V-belt for vibrator	Crack, Tension
Hydraulic piping	Leak, Looseness, Crack, Wear
Throttle lever	Operation check, Looseness, Play
Travel operation lever	Operation check, Looseness, Play
Bolts & Nuts	Looseness, Falling off

※ Regarding the engine inspection, refer to the engine operation manual.

CAUTION

Always stop the engine before inspection and set the machine on hard and level ground.

7.1 Engine Oil

- Check the oil level. If the oil level is low, fill oil. (Fig.1&2)

Regarding HATZ engine, it is available to fill oil from oil inlet located the its top too.

(Fig.3)

Use the following engine oil.

Quality: Diesel engine oil, Grade CC or above
Gasoline engine oil, Grade SE or above
Viscosity: SAE No. 30 at 20°C and above (summer)
SAE10W-30

HONDA

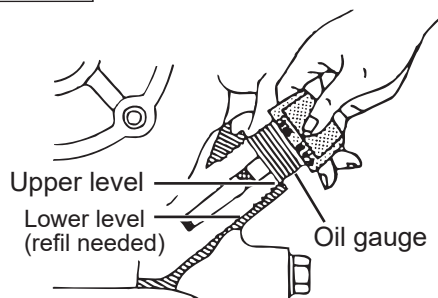
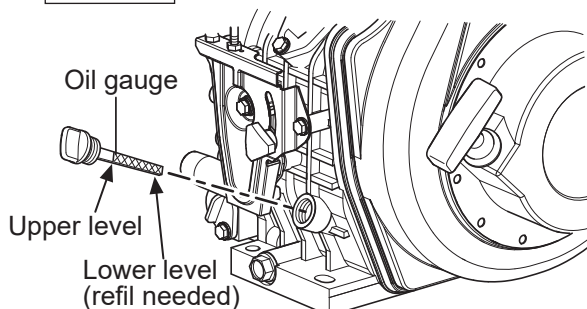


Fig. 1

YANMAR



HATZ

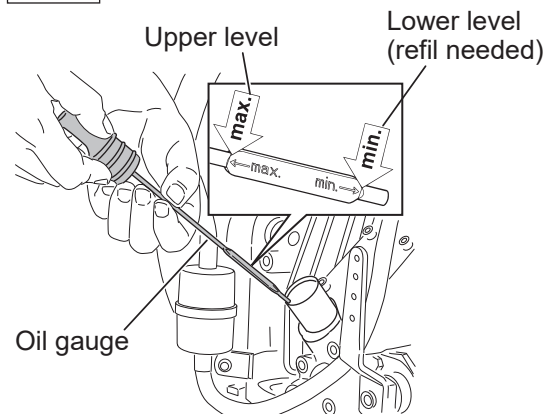
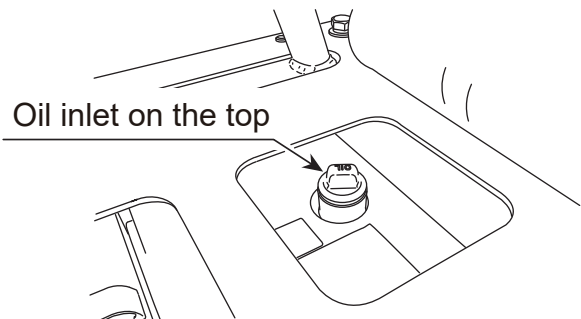


Fig. 2



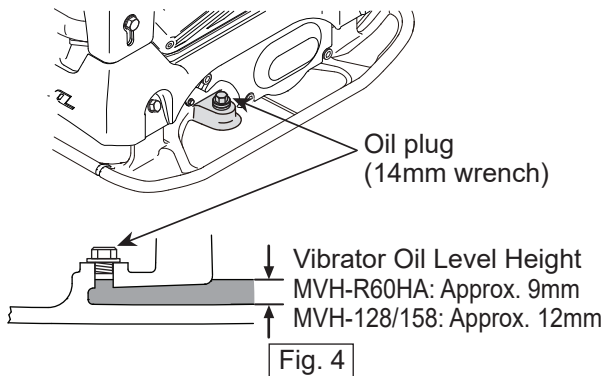
※ When filling oil from the oil inlet for HATZ engine, oil might overflow if large amount of oil is filled at one time. So, fill slowly.

Fig. 3

7.2 Vibrator Oil

- Check the vibrator oil level if it is at the specified level by removing the oil plug of vibrator. (Fig. 4)

Use engine oil SAE10W-30 as lubrication oil.
 Vibrator oil capacity:
 MVH-R60HA ⇒ 200cc
 MVH-128/158 ⇒ 350cc

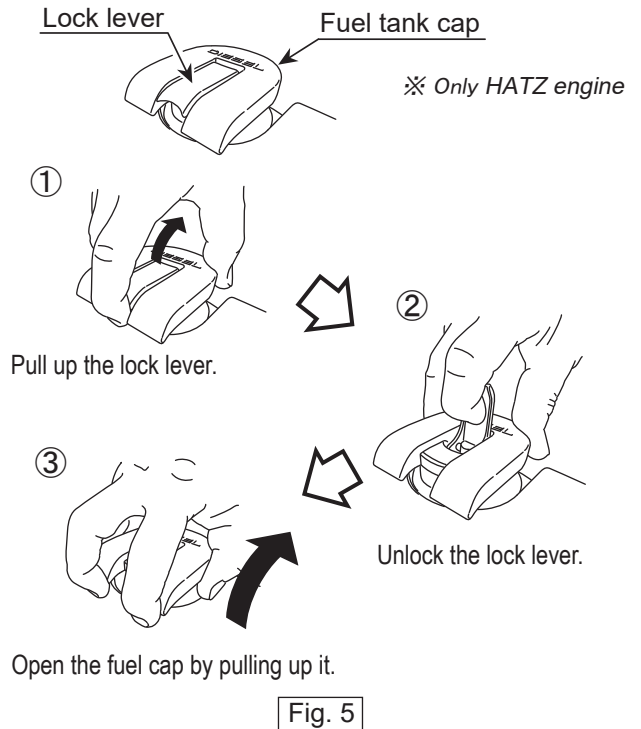


7.3 Refueling

⚠ DANGER

- Stop the engine when refueling.
- Never refueling near a naked flames or a source of sparks.
- Do not fill the fuel tank completely because the fuel might spill.
- Wipe up any spilled fuel.

- Use clean automotive gasoline or automotive light oil appropriate for the engine.
- Pass the fuel through a filter to filtrate when refueling.
- Fuel inlet is located under the rubber cover at the top of front cover.
- **Only HATZ engine:**
 The fuel tank cap is equipped with a lock lever. Unlock this lever before opening the cap. (Fig.5)



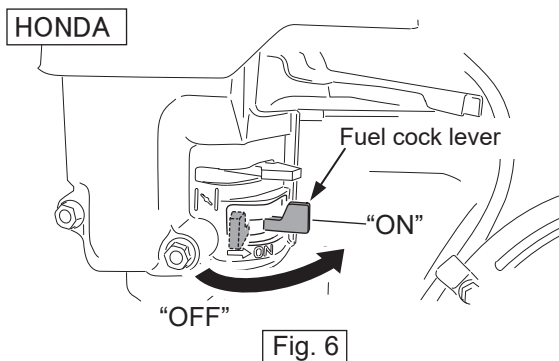
8. OPERATION

8.1 Starting

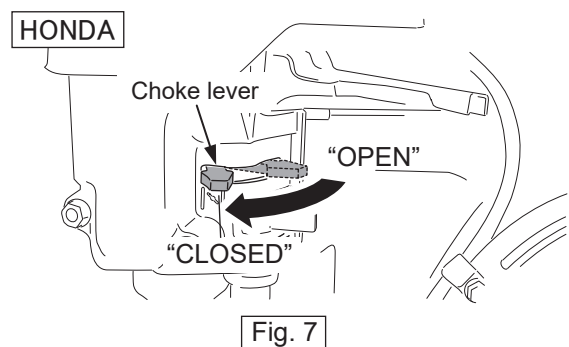
- 1 Move the handle from stored position to operation position by pulling the handle lock.

Gasoline Engine

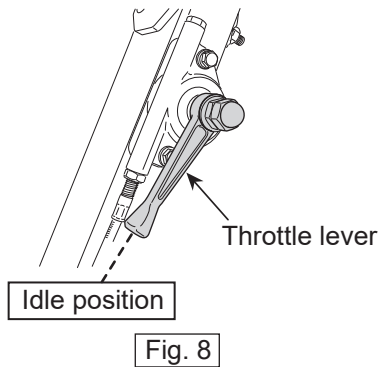
- 1 Move the fuel cock lever to the "ON" position. (Fig. 6)



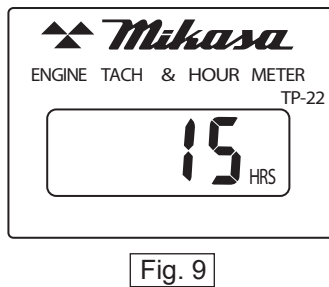
- 2 To start a cold engine, move the choke lever to the "CLOSED" position. To restart a warm engine, leave the choke lever in the "OPEN" position. (Fig. 7)



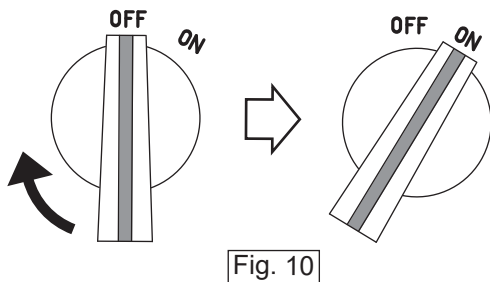
- 3 Move the throttle lever to the idle position. (Fig. 8)



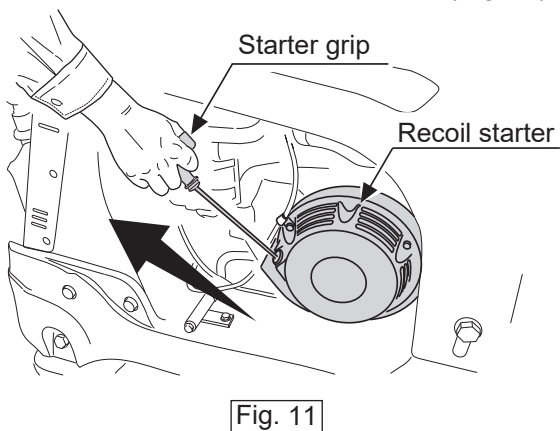
- 4 When the engine is stopped, the hour tachometer is always displaying "Operation Time". (Fig.9)



- 5 Turn the engine switch to the "ON" position. (Fig.10)



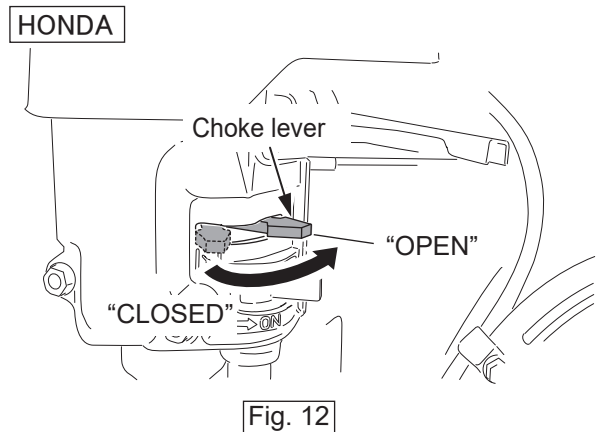
- 6 Pull the starter grip lightly until you feel resistance. Then, pull it briskly in the direction of the arrow as shown below. (Fig.11)



CAUTION

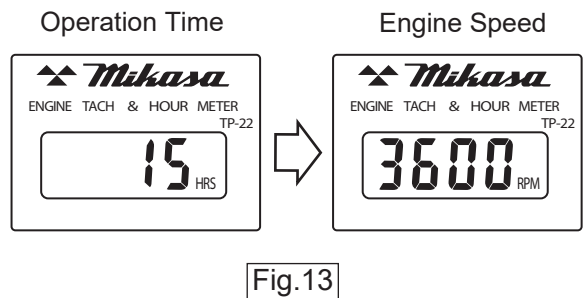
- Do not pull the starter grip all the length of the rope.
- Be careful not to pull it too hard as it might break or come off.
- Return it gently to prevent damage to the recoil starter.

- 7 If the choke lever has been moved to the "CLOSED" position to start the engine, gradually move it to the "OPEN" position as the engine warms up. (Fig.12)



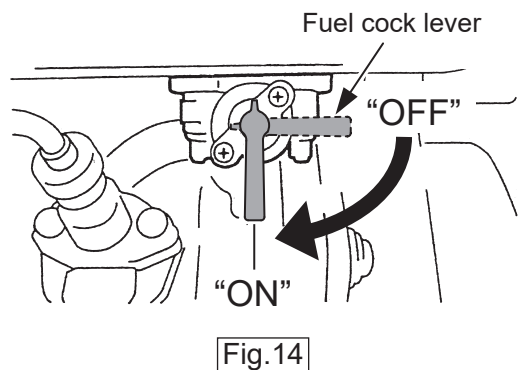
- 8 After the engine has started, warm up the engine at idle speed for 2 to 3 minutes. This is especially important in cold weather.

- 9 During operation, the hour tachometer is displaying "Engine Speed". (Fig.13)

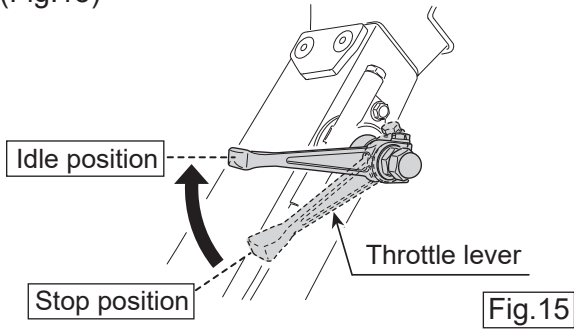


Diesel Engine For Yanmar

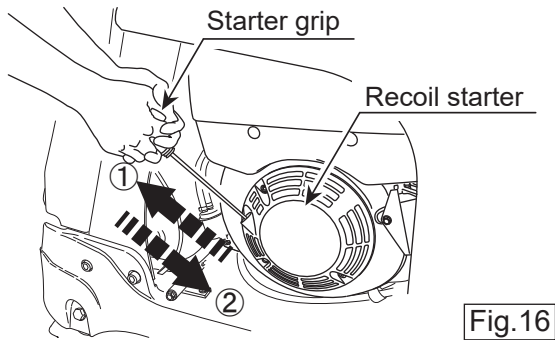
- 1 Move the fuel cock lever to the "ON" position. (Fig.14)



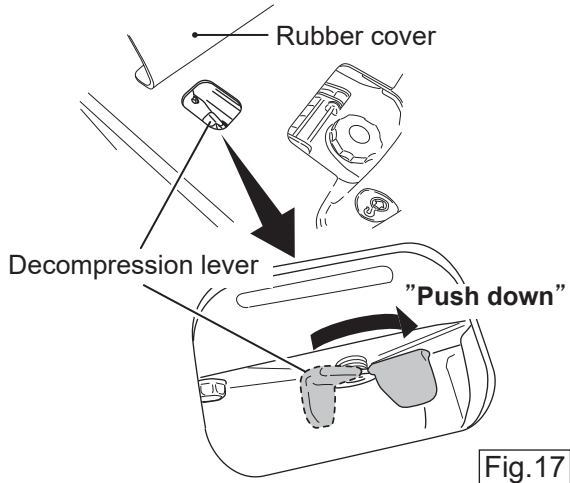
- 2 Move the throttle lever to the idle position. (Fig.15)



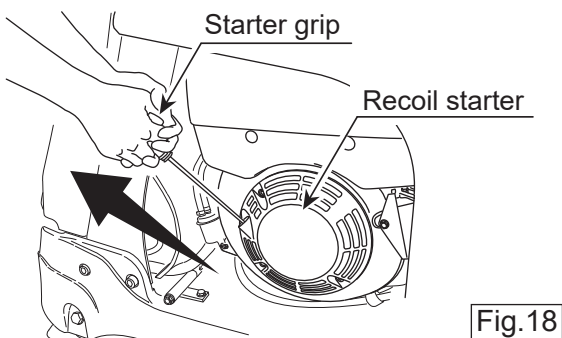
- 3 Pull the starter grip lightly until you feel resistance. Then, slowly return it to the initial position. (Fig.16)



- 4 Push the decompression lever down and release it. The decompression lever will automatically return to the original position when the engine starts. (Fig.17)



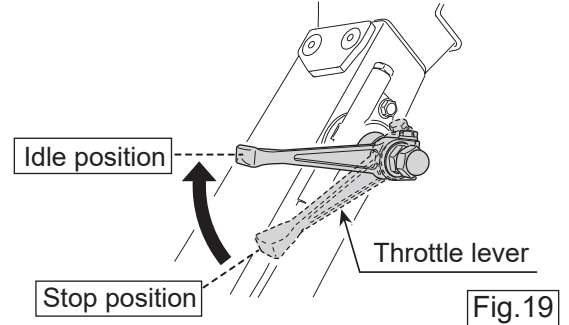
- 5 Pull the starter grip briskly all the way out. Use two hands if necessary. (Fig.18)



- 6 After the engine has started, warm up the engine at idle speed for 2 to 3 minutes. This is especially important in cold weather.

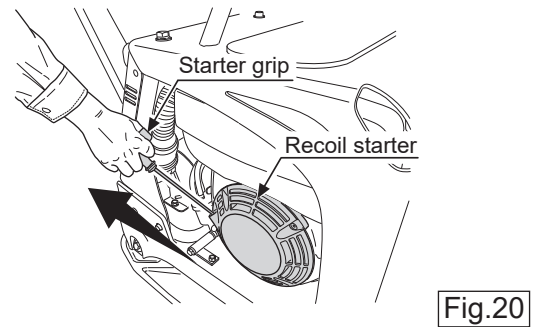
Diesel Engine For HATZ

- 1 Move the throttle lever to the idle position. (Fig.19)



- 2 Pull the starter grip lightly until you feel resistance. Then, slowly return it to the initial position.

- 3 Pull the starter grip briskly all the way out. Use two hands if necessary. (Fig.20)



- 4 After the engine has started, warm up the engine at low speed for 2 to 3 minutes. This is especially important in cold weather.

CAUTION

- Do not pull the starter grip all the length of the rope.
- Be careful not to pull it too hard as it might break or come off.
- Return it gently to prevent damage to the recoil starter.

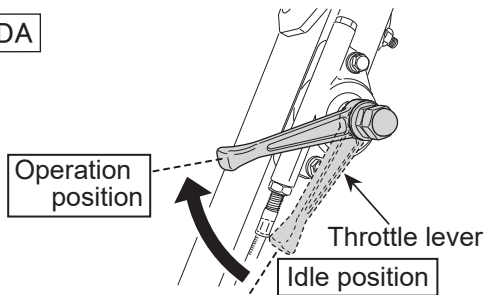
8.2 Operation

CAUTION

- During operation, pay sufficient attention to dangerous objects, obstacles, in the direction of your work and surrounding area.
- While in operation, never touch the moving parts and high temperature parts of the machine.

- 1 Once the engine has started, move the engine throttle lever quickly to the operation position. (Fig.21)

HONDA



HATZ
YANMAR

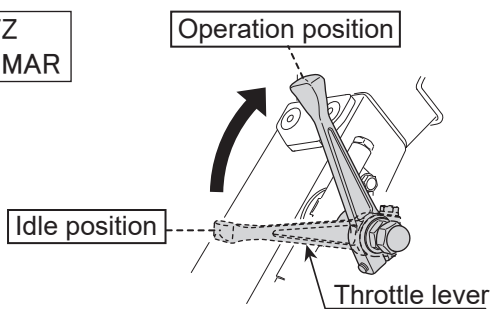


Fig.21

CAUTION

Always move the throttle lever quickly without hesitation, because increasing the engine speed slowly causes the clutch slipping.

- 2 Operate the travel operation lever to move the machine forward or reverse. The travel operation lever is normally in the forward position and the machine automatically moves forward. When pulled it to the reverse position, the machine moves reverse. In the neutral position, the machine compacts staying the same spot. (Fig.22)

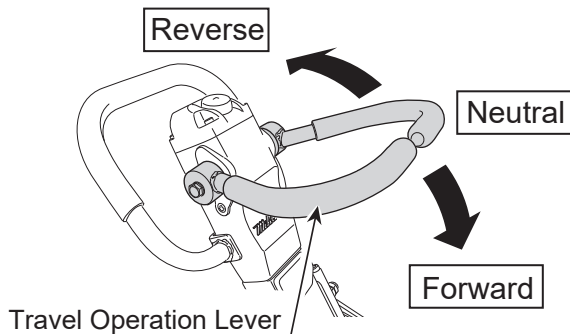


Fig.22

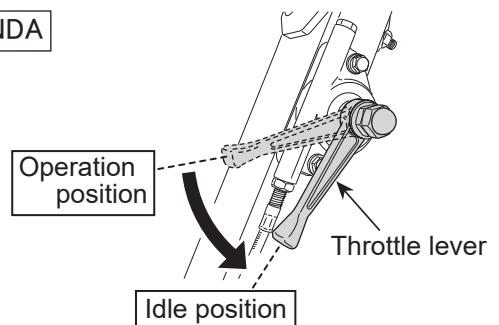
CAUTION

When this machine is used on ground that contains clay or high water percentage, the ground surface tends to stick to the vibrating plate, and the machine may slow down or not compact.

In this case, check the bottom of the vibrating plate to see if there is adhered any clay to it. Dry the ground until becoming the appropriate ground condition before using this machine to get good compaction performance.

- 3 If you want to suspend the work, the throttle lever return to the idle position quickly. (Fig.23)

HONDA



HATZ
YANMAR

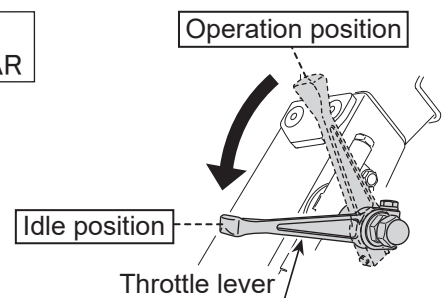


Fig.23

CAUTION

When you move the throttle lever to the idle position, do not return it to the operation position suddenly before the engine speed has slowed completely. It may cause engine failure.

9. STOPPING THE MACHINE

CAUTION

Never stop the engine suddenly while working at high speeds. It might cause engine failure.

Gasoline Engine

- 1 Move the throttle lever to the idle position. Cool down the engine for 3 to 5 minutes at idle speeds before stopping.
- 2 Turn the engine switch to the "OFF" position. (Fig. 24)

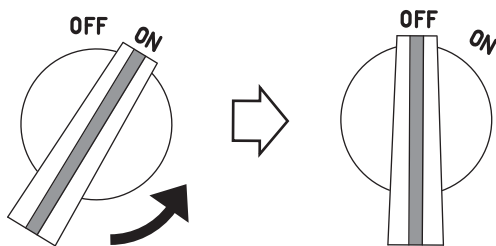


Fig.24

- 3 Move the fuel cock lever to the "OFF" position. (Fig. 25)

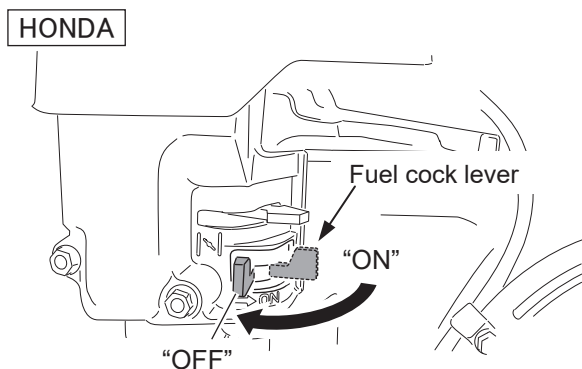


Fig.25

Diesel Engine

- 1 Move the throttle lever to idle position. Cool down the engine for 3 to 5 minutes at idle speeds before stopping.
- 2 Move the throttle lever to the stop position to stop the engine. (Fig.26)

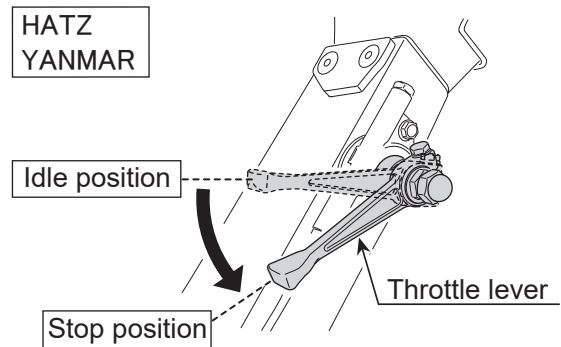


Fig.26

CAUTION

When the throttle lever is moved from the idling position to the stop position, the engine stops. Before the engine stops completely, do not move the throttle lever to the idling or operation position suddenly. It might cause engine failure.

- 3 Move the fuel cock lever to the "OFF" position. (Fig. 27)
(Only YANMAR engine)

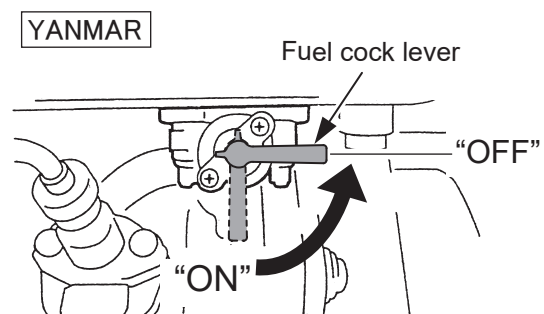


Fig.27

10. TRANSPORTATION AND STORAGE

10.1 Loading And Unloading

⚠ WARNING

- Make sure there is no breakage of guard frame and shock absorbers nor loosened or missing bolts.
- Always stop the engine when lifting.
- Use an intact lifting cable (wire or rope) without any deformation with sufficient strength.
- Slowly lift upward without applying any impact. Never let people or animals go under the lifted machine.
- For safety reasons, do not lift to a height that is higher than necessary.

- 1 Use a crane or lift for loading and unloading the machine.
- 2 Designate a person to guide the loading and unloading, and always work under the instruction of that person.
- 3 When lifting, always use a hook. (Fig. 28)
Never lift by using the hook on the handle.

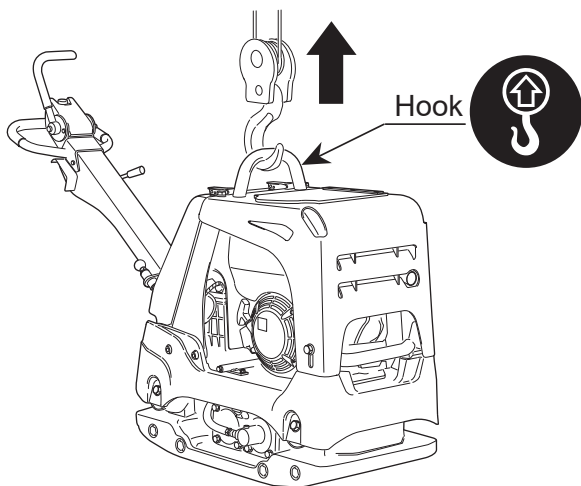


Fig.28

10.2 Transportation Precautions

⚠ WARNING

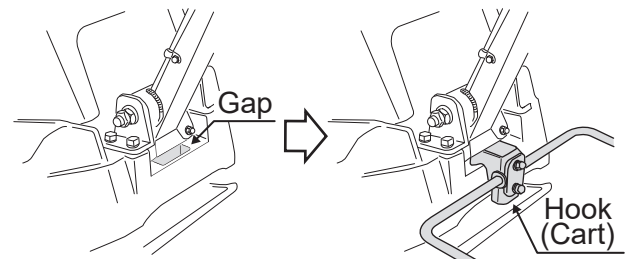
- Stop the engine when the machine is transported.
 - Always drain the fuel before transportation.
 - Fix the machine securely to prevent the machine from moving or falling.
-
- When putting the handle into the stored position (vertical position), make sure it is properly locked.
 - When transporting, remove the starter key.

- How to use the cart (For MVH-128 & 158)

⚠ CAUTION

- When the cart is mounted / dismounted, be sure to work on flat and hard ground with safety.

- 1 Move the handle to operation position, and hang the hook of cart into the gap under the handle. (Fig. 29)



- ※ Check the hook is fixed deep into the gap.

Fig.29

- 2 Tilt the handle to the front until the rear end of vibrating plate leaves the ground. Then, move the cart to the underside of vibrating plate until the frame of cart touches the vibrating plate. (Fig. 30)

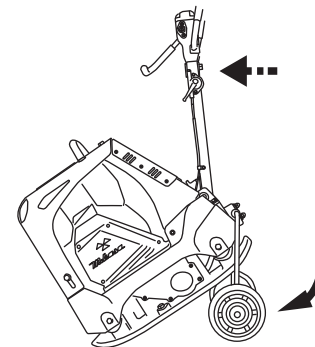


Fig.30

- 3 Pull back the handle to the rear, and lift up the vibrating plate by cart. Then, move the machine keeping horizontal position. (Fig. 31)

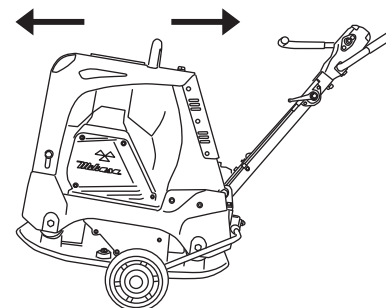


Fig.31

- ※ When pull the handle, be careful not to hit.

● How to remove the cart

CAUTION

- Be sure to work slowly to avoid that the cart or machine hit to the operator.

- 1 Position the machine so that the front end of vibrating plate touches the ground. Then, tilt the handle to the front until the cart leaves the ground. (Fig. 32)

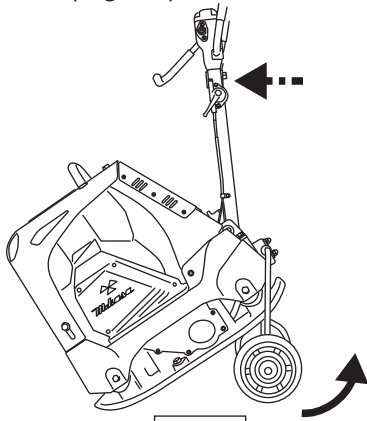


Fig.32

- 2 Pull the cart from the underside of vibrating plate to the rear, then position the machine to the ground. (Fig. 33)

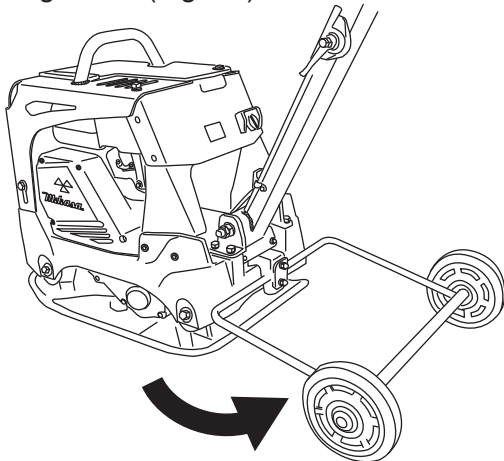


Fig.33

- 3 Remove the cart by removing the hook. (Fig. 34)

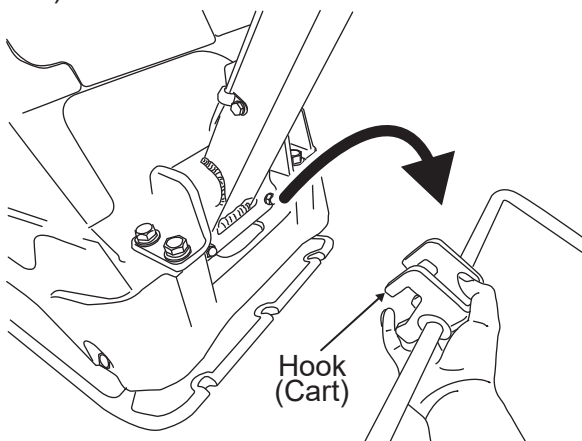


Fig.34

10.3 Storage

- Wash off dirt and soil from every part with water. While washing, be careful not to do the water splashed on the electric components such as the battery and the engine muffler part.
- Store in a dry and clean place avoiding direct sunlight after covering the machine with plastic covering or equivalent.
- Do not leave the machine outdoors. Place it indoors.
- When not used for a long period of time, drain the fuel from the fuel tank, and either disconnect the battery terminal or remove the battery itself.
- When the machine is used after a long storage period, check the level of engine oil and battery capacity.

11. REGULAR CHECK AND ADJUSTMENT

11.1 Inspection And Maintenance Schedule Table

Inspection interval	Check parts	Check items	Oils
Daily (before starting)	Appearance	Flaw, Deformation	
	Fuel tank	Leakage, Oil level, Dirt	Light oil, gasoline
	Fuel system	Leakage, Oil level, Dirt	
	Engine oil	Leakage, Oil level, Dirt	Engine oil
	Shock absorber	Crack, Damage, Wear	
	Hand pump	Leakage	Hydraulic oil
	Vibrator oil	Leakage	Engine oil
	Hydraulic piping	Leakage, Looseness, Flaw, Wear	Hydraulic oil
	Air cleaner	Dust, Dirt	
	Guard frame	Breakage, Flaw, Loose or missing bolts and nuts	
	Throttle lever	Operation check, Looseness, Backlash	
	Travel operation lever	Operation check, Looseness, Backlash	
	Bolts and nuts	Looseness, Falling off	
	Duct hose	Crack, Damage	
Every 20 hours	Engine oil	Replace only after the first 20 hours	
	Engine oil filter	Replace only after the first 20 hours	
Every 100 hours	Engine oil	Change	Engine oil
	Engine oil filter	Washing	
	Vibrator oil	Leakage, Oil level, Dirt	Engine oil
	Hydraulic oil	Leakage, Oil level, Dirt	Hydraulic oil
	Battery terminal	Cleaning	
Every 200 hours	V-belt for vibrator	Flaw, Tension	
	Clutch	Dirt, Flaw, Wear	
Every 300 hours	Vibrator oil	Change	Engine oil
	Hydraulic oil	Change	Hydraulic oil
	Fuel filter	Change	
	Engine oil filter	Change	
Every 2 years	Fuel pipes	Change	
Irregular	Air cleaner element	Change	
	Hydraulic hose	Change	
	Cyclone cleaner	Cleaning	

For details about the inspection and maintenance of the engine, please refer to the attached engine operation manual.

Caution: The above table shows the inspection interval under normal condition.

The inspection interval may vary depending on the condition in which the machine is used.

For check of bolt and nut looseness and tightening, please see the following tightening torque list.

Tightening torque list (unit: kgf-cm, 1kgf-cm=9.80665N-cm)

		Thread diameter							
		6mm	8mm	10mm	12mm	14mm	16mm	18mm	20mm
Material	4T(SS400)	70	150	300	500	750	1,100	1,400	2,000
	6-8T(S45C)	100	250	500	800	1,300	2,000	2,700	3,800
	11T(SCM435)	150	400	800	1,200	2,000	2,900	4,200	5,600
	When the mating material is aluminum.	100	300~350	650~700	(Bolts used on the machine are all right-hand thread.)				

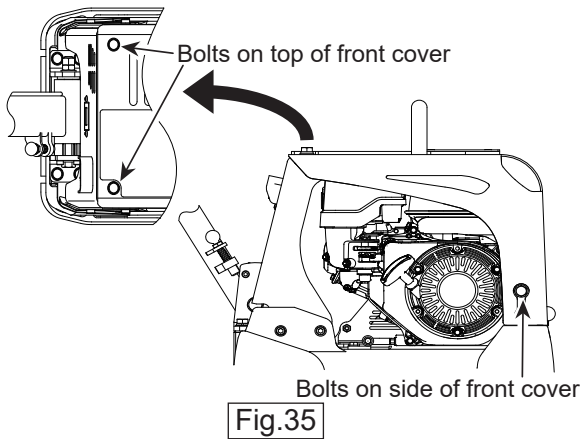
CAUTION

- Always stop the engine before maintenance and set the machine on hard and level ground.
- Start your work after the machine and engine cool down completely.
- Be careful to get caught the finger when opening and closing the front cover.
- Do not touch the hot parts because the engine and muffler become very hot.

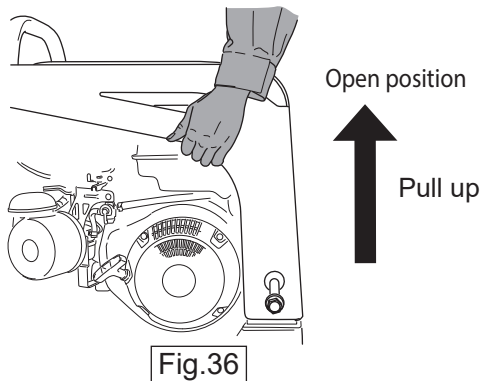
11.2 Open The Front Cover

- Makes easier inspection and maintenance.
- 1 Remove the bolts on the front cover. Loosen the bolts on the side of front cover without removing them. (Fig.35)

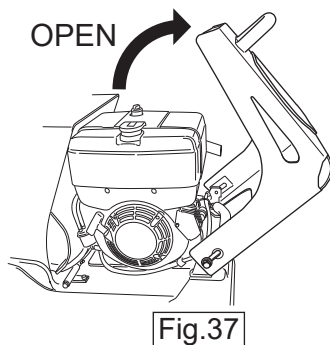
Model	Bolt Size
MVH-128,158	M12X35



- 2 Hold the both sides of front cover, and pull up it to open position. (Fig.36)



- 3 Open the front cover slowly. (Fig.37)



- 4 Return the front cover to original position slowly. Tighten the bolts in the specified torque. (Fig.35)

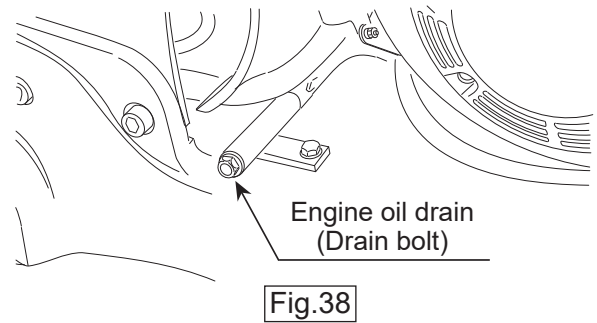
Size	Tightening torque	Remarks
Bolt M12X35	117.6N·m (86.8lbf·ft)	Apply Loctite #243

CAUTION

- Do not return the front cover in its open position.
- Do not start the engine when opening the front cover.
- Tighten the bolts firmly.

11.3 Change The Engine Oil

- Change the engine oil, first in 20 hours of operation and every 100 hours afterwards. (Fig.38)

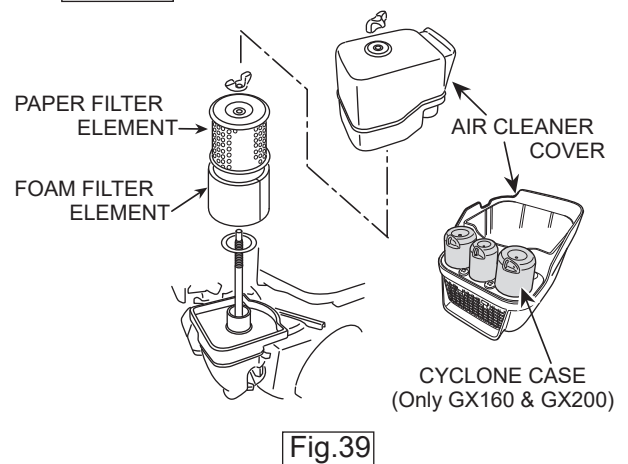


11.4 Clean The Air Cleaner

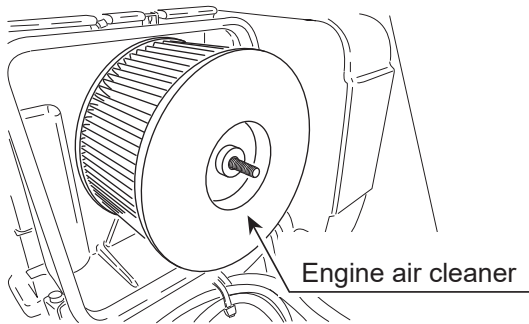
The Engine Air Cleaner

When the air cleaner element becomes dirty, the engine will not start smoothly, and will not get sufficient output. It will affect the machine operation and will short the engine life greatly. Do not forget to clean the element. (For details, please see the separate engine operation manual.) If the element cannot be cleaned, replace it with a new one. (Fig.39)

HONDA



HATZ



YANMAR

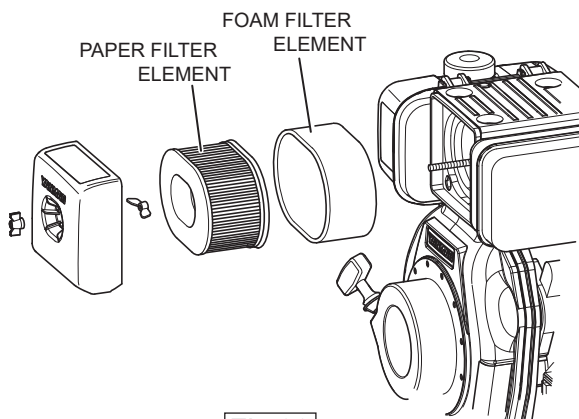


Fig.39

- **Cyclone Cleaner for HATZ & YANMAR**
Always clean the dust pot of cyclone cleaner. Clogged dust pot will reduce cyclone effect and will clog cleaner element easily.

- **How to clean the dust pot**

- i) Take off the latch of dust pot and remove it. (Fig.40)

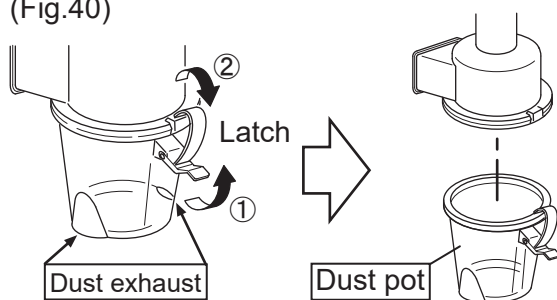


Fig.40

CAUTION
Be careful to avoid pinched fingers.

- ii) Clean the dust pot inside with water and neutral detergent.

CAUTION
Do not use organic solvent like paint thinner, which may cause damage or deformation of the dust pot.

- iii) Set the dust pot to air cleaner, then fasten the latch of it securely. (Fig. 41)

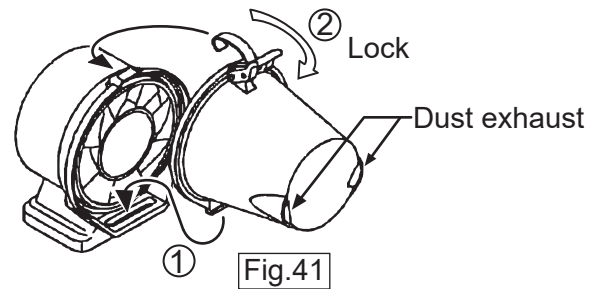


Fig.41

11.5 Check/Change The V-belt

- 1 **Check of V-belt** (Fig. 42)

At every 200 hours, remove the belt cover (upper) to check the tension of the V-belt. The V-belt tension is proper if V-belt bends 10 to 15 mm when depressed with finger at midway between the clutch and vibration pulley.

A loose V-belt will decrease the power transmission output, causing reduced compaction and premature wear of the V-belt.

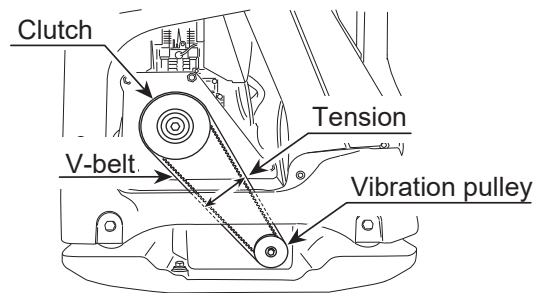


Fig.42

- 2 **Change the V-belt**

- **Remove the V-belt**

Remove the upper and lower belt covers. Engage the wrench to the tightening bolt of the vibrator pulley (lower side). Engage waste cloth or the like at the midway of the V-belt on the left side, and while pulling it back strongly, rotate the wrench clockwise so that the V-belt will come off.

- **Install the V-belt**

Engage the V-belt to the lower vibrator pulley and push the V-belt to the left side of the upper clutch, and rotate the tightening bolt of lower vibrator pulley clockwise with the wrench so that the V-belt moves onto the pulley.

CAUTION

- Stop the engine when checking or changing the V-belt.
- Be careful not to get caught your hand or clothes between the V-belt and the clutch.
- Always wear work gloves.

11.6 Check/Change The Vibrator Oil

- At every 100 hours of operation, check the vibrator oil level if it is within the allowable range by removing the oil plug of vibrator. (Fig.43)
- At every 300 hours operation, change the vibrator oil. For draining the oil from the port of oil plug, tilt the machine with a sleeper or the like placed under the vibrating plate or use the oil changer.

Use engine oil SAE10W-30 as lubrication oil.
 Vibrator oil capacity:
 MVH-R60HA: 200cc
 MVH-128/158: 350cc

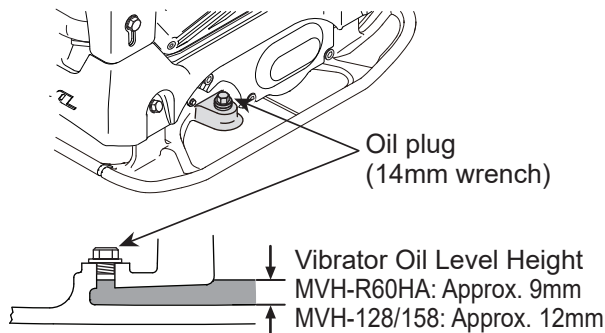


Fig.43

CAUTION

- Appropriate maintenance is required to ensure safe and efficient operation of the machine.
- Pay special attention to the parts used for lifting, if they are not maintained properly, it might result in a serious accident.
- When checking the vibrator oil, clean around the oil plug beforehand to prevent entering dust and other foreign materials into the vibrator oil.
- Whenever there is an oil leakage from the vibrator, check the oil level.
- After draining the vibrator oil, some oil still remains in vibrator case. So be sure to check the oil level correctly after filling oil.
- Do not overfill the vibrator oil. The engine is overloaded and It may cause the increased fuel consumption and lower machine performance.

11.7 Check/Change The Hydraulic Oil

- **Check the hydraulic oil**
 At every 100 hours of operation, check the hydraulic oil.
 With the handle at the operation position, remove the breather plug at the top of the hand pump and check if the hydraulic oil is at the specified level (OIL LEVEL). (Fig. 44)

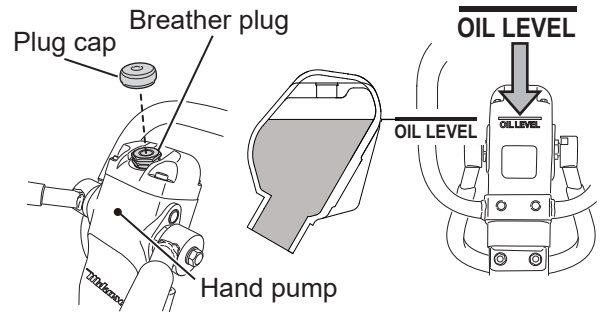


Fig.44

Change the hydraulic oil

- 1 Remove the plug cap of the hand pump, then remove the breather plug (with 24mm wrench). (Fig.44)
- 2 Remove the hydraulic hose connected to the cylinder on the vibrator and fix the travel operation lever at maximum forward position with rope, then drain the hydraulic oil in the hand pump. (Fig.45)

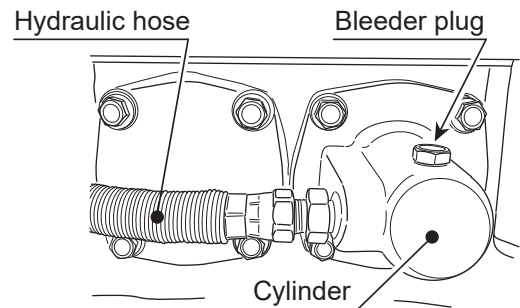


Fig.45

- 3 After draining, reassemble the hydraulic hose to the cylinder on the vibrator. (Fig.45)
- 4 Fill the hydraulic oil from the hole of breather plug on the hand pump. (Fig.44)

CAUTION

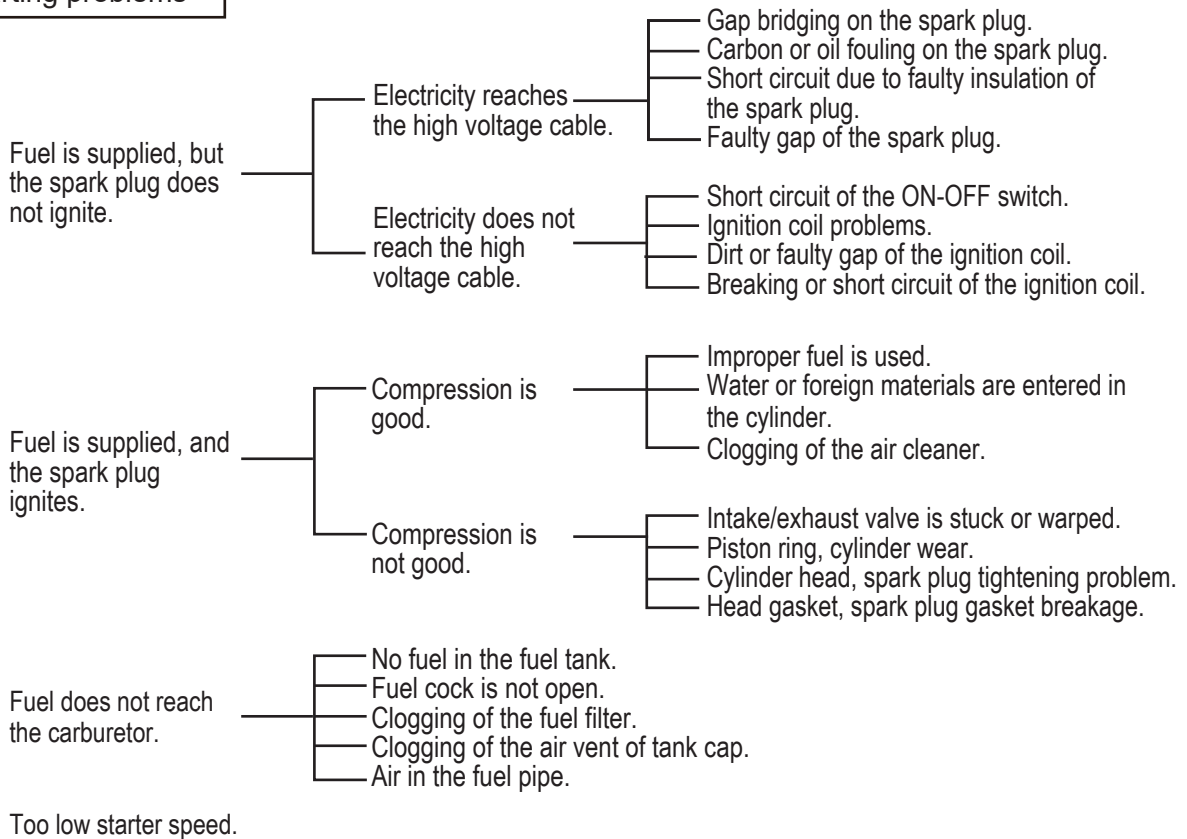
- The hydraulic oil should be at OIL LEVEL. Do not overfill. Overfilling will cause to blow out excess oil from the breather plug.
 - Be careful not entering dust and other foreign materials into the hand pump during inspection or replacement. It may cause hand pump failure.
- 5 Loosen the bleeder plug located at the top of cylinder on the vibrator, after a while oil with air bubbles will come out. After air bubbles in oil are free, tighten the bleeder plug firmly. (Fig.45)
 - 6 After making sure to check that the hydraulic oil should be at OIL LEVEL, reassemble the breather plug of the hand pump. (Fig.44)

Hydraulic oil:
 Shell Terrace Oil #32 or equivalent
 Hydraulic oil capacity:
 MVH-R60HA ⇒ 120cc
 MVH-128/158 ⇒ 300cc

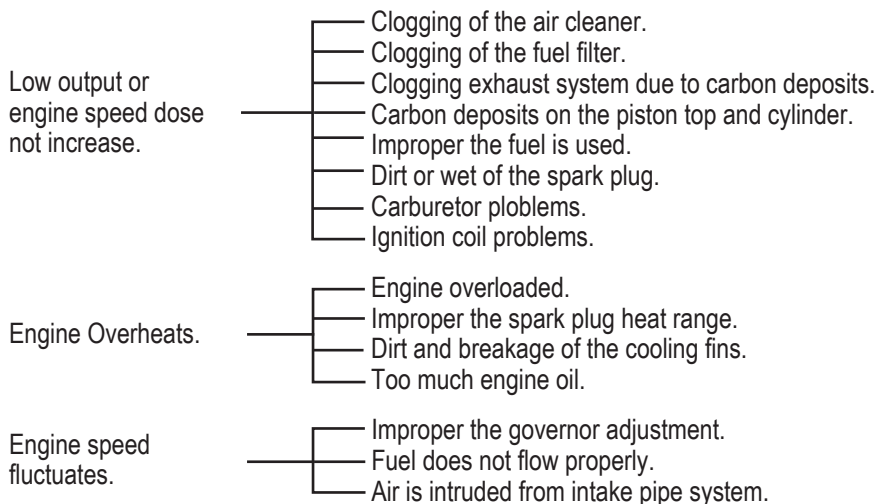
12. TROUBLESHOOTING

12.1 Gasoline Engine

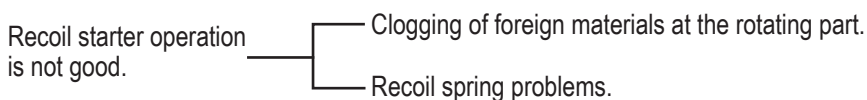
(1) Starting problems



(2) Operation problems



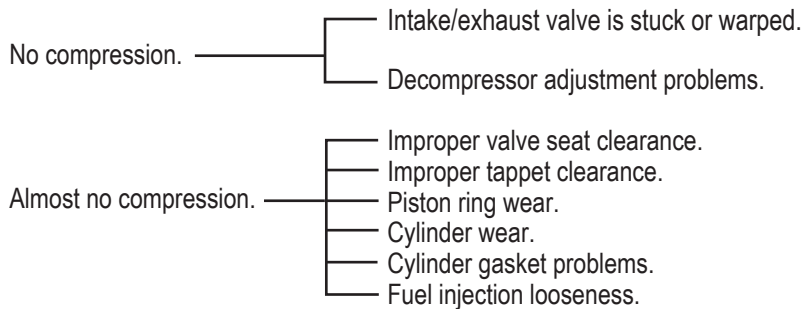
(3) Recoil starter problems



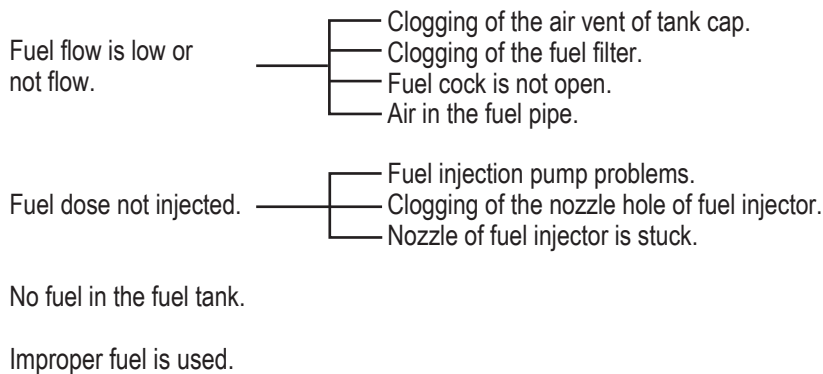
12.2 Diesel Engine

(1) Starting problems

(A) In case of compression problems



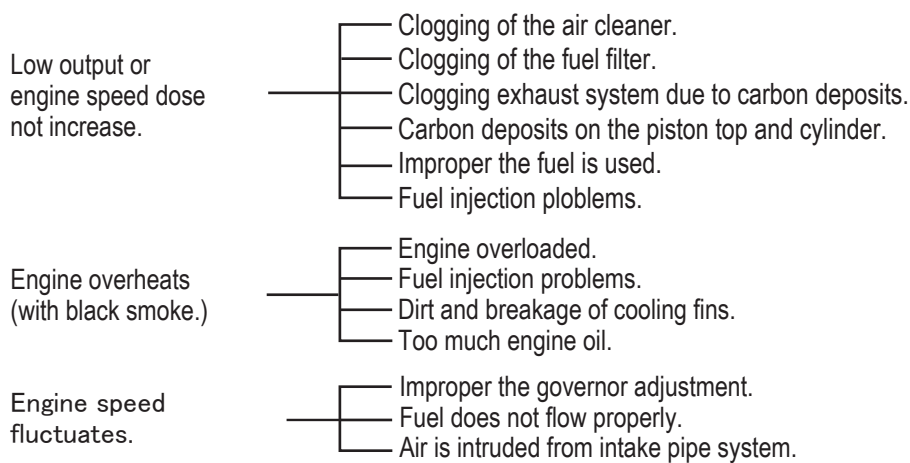
(B) In case of fuel injection problems



(C) Fuel and compression are normal, but the engine does not start yet.

- Improper starting procedure.
- Too low starter speed.

(2) Operation problems



Firing problems
(with white smoke)

- Piston, piston ring, cylinder wear.
- Piston ring stuck.
- Piston ring is installed upside down.
- Fuel injection problems.
- Improper the valve seat clearance.
- Improper the tappet clearance.
- Improper the injection timing
- Water is mixed with in fuel.

Fuel economy is
too low.
(with black smoke)

- Engine is overloaded.
- Fuel leaks from the fuel system.
- Clogging of the air cleaner.
- Fuel injection problems.

Sliding part extremely
is worn or
piston ring is stuck.

- Improper engine oil is used.
- Engine oil is not changed.
- Without the air cleaner.
- Breakage of the air cleaner.

Stopped suddenly with abnormal noise. ————— Seizure of the sliding part of the engine.

Engine oil is increased. ————— Engine oil is diluted with fuel due to internal leakage of the fuel injection.

Engine does not stop
even though the fuel
supply is off
(or over-running)

- Engine overheats.
- Carbon deposits on the piston top and cylinder.
- Too much the engine oil.

12.3 Main Body

Travel speed is low
and vibration is weak.

- Insufficient the engine output.
- Improper operating speed of the engine.
- Slipping of the clutch.
- Slipping of the V-belt.
- Settling of the shock absorber.
- Too much the vibrator oil.
- Failure inside the vibrator.

Moves to forward or
reverse, but unable
to switch direction.

- Hand pump problems.
- Clogging of the valve inside the hand pump.
- Hydraulic oil leaks from the oil seal in the hand pump.
- Breakage of the hydraulic oil hose.
- Air in the hydraulic oil hose.
- Hydraulic oil leaks from the piston in the cylinder on the vibrator.

Dose not move to
forward and reverse.

- Breakage or coming off of the V-belt.
- Breakage or slipping of the clutch.
- Breakage of the vibrator.

Travel operation lever
is heavy.

- Hand pump problems.
- Piston and cylinder on the vibrator problems.

Firing problems
(with white smoke)

- Piston, piston ring, cylinder wear.
- Piston ring stuck.
- Piston ring is installed upside down.
- Fuel injection problems.
- Improper the valve seat clearance.
- Improper the tappet clearance.
- Improper the injection timing
- Water is mixed with in fuel.

Fuel economy is
too low.
(with black smoke)

- Engine is overloaded.
- Fuel leaks from the fuel system.
- Clogging of the air cleaner.
- Fuel injection problems.

Sliding part extremely
is worn or
piston ring is stuck.

- Improper engine oil is used.
- Engine oil is not changed.
- Without the air cleaner.
- Breakage of the air cleaner.

Stopped suddenly with abnormal noise. ————— Seizure of the sliding part of the engine.

Engine oil is increased. ————— Engine oil is diluted with fuel due to internal leakage of the fuel injection.

Engine does not stop
even though the fuel
supply is off
(or over-running)

- Engine overheats.
- Carbon deposits on the piston top and cylinder.
- Too much the engine oil.

12.3 Main Body

Travel speed is low
and vibration is weak.

- Insufficient the engine output.
- Improper operating speed of the engine.
- Slipping of the clutch.
- Slipping of the V-belt.
- Settling of the shock absorber.
- Too much the vibrator oil.
- Failure inside the vibrator.

Moves to forward or
reverse, but unable
to switch direction.

- Hand pump problems.
- Clogging of the valve inside the hand pump.
- Hydraulic oil leaks from the oil seal in the hand pump.
- Breakage of the hydraulic oil hose.
- Air in the hydraulic oil hose.
- Hydraulic oil leaks from the piston in the cylinder on the vibrator.

Dose not move to
forward and reverse.

- Breakage or coming off of the V-belt.
- Breakage or slipping of the clutch.
- Breakage of the vibrator.

Travel operation lever
is heavy.

- Hand pump problems.
- Piston and cylinder on the vibrator problems.

Mikasa

MIKASA SANGYO CO., LTD.

1-4-3, Kanda-Sarugakucho, Chiyoda-ku, Tokyo, 101-0064, Japan

COPYRIGHT 2022, MIKASA SANGYO CO., LTD.